



Brazier Head Solid Aluminum Rivets

Auveco Part No.	Dia.	Length	Head Dia.	Unit Pkg.
9643	3/16"	3/8"	15/32"	100
9644	3/16"	3/8"	15/32"	1000
12528	3/16"	1/2"	15/32"	100
12529	3/16"	1/2"	15/32"	1000
9647	1/4"	3/8"	5/8"	100
9648	1/4"	3/8"	5/8"	1000

RIVETS

Countersunk Head Drive Rivets Aluminum Rivet - Stainless Steel Pin

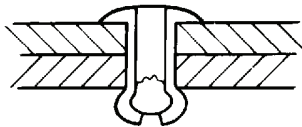


Auveco Part No.	Diameter	Grip	Unit Pkg.
9463	3/16"	3/16"	50

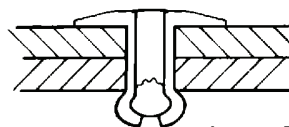
Refer To Pages 262 For Drill Bits Used With Rivets



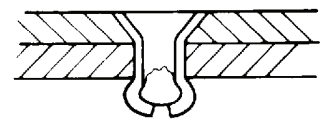
Pan'l Blind Rivets



Dome Head



Large Flange



Countersunk

Auveco Part No. Unit Package Quantity					Head (Flange) Type & Diameter	Rivet Dia.	Grip Range	Rivet Length Exc. Flange	Cross Reference		
25	50	100	500	1000					POP®	Marson Klik-Fast	
Steel Rivet - Steel Mandrel - Plated											
—	—	19044	—	—	Dome 3/16"	3/32"	1/32" - 1/8"	15/64"	SD32BS	SB3-2	
—	—	19045	—	—	Dome 3/16"	3/32"	1/8" - 1/4"	23/64"	SD34BS	SB3-4	
—	—	19046	—	—	Dome 1/4"	1/8"	1/32" - 1/16"	13/64"	SD41BS	SB4-1	
—	—	5749	5748	8871	Dome 1/4"	1/8"	1/16" - 1/8"	7/32"	SD42BS	SB4-2	
—	—	5751	5750	8872	Cntrsnsk 7/32"	1/8"	1/16" - 1/8"	7/32"	SK42BS	SC4-2	
—	—	8291	8290	8873	Lg Flange 3/8"	1/8"	1/16" - 1/8"	7/32"	SD42BSLF	SBL4-2	
—	—	8874	8875	—	Dome 1/4"	1/8"	1/8" - 3/16"	5/16"	SD43BS	SB4-3	
—	—	5753	5752	8877	Dome 1/4"	1/8"	3/16" - 1/4"	25/64"	SD44BS	SB4-4	
—	—	8303	8302	—	Cntrsnsk 7/32"	1/8"	3/16" - 1/4"	25/64"	SK44BS	SC4-4	
—	—	8293	8292	8879	Lg Flange 3/8"	1/8"	3/16" - 1/4"	25/64"	SD44BSLF	SBL4-4	
—	—	8880	8881	8882	Dome 1/4"	1/8"	5/16" - 3/8"	1/2"	SD46BS	SB4-6	
—	—	19047	—	—	Dome 1/4"	1/8"	3/8" - 1/2"	41/64"	SD48BS	SB4-8	
—	—	8883	8884	—	Dome 5/16"	5/32"	1/16" - 1/8"	7/32"	SD52BS	SB5-2	
—	—	8886	8887	8888	Dome 5/16"	5/32"	3/16" - 1/4"	3/8"	SD54BS	SB5-4	
—	—	8889	—	—	Dome 3/8"	3/16"	1/16" - 1/8"	9/32"	SD62BS	SB6-2	
—	—	8892	8893	8894	Dome 3/8"	3/16"	1/8" - 1/4"	7/16"	SD64BS	SB6-4	
—	18811	—	—	—	Lg Flange 5/8"	3/16"	1/8" - 1/4"	7/16"	SD64BSLF	SBL6-4	
—	—	8895	8896	8897	Dome 3/8"	3/16"	1/4" - 3/8"	9/16"	SD66BS	SB6-6	
—	—	8305	8304	8898	Lg Flange 5/8"	3/16"	1/4" - 3/8"	9/16"	SD66BSLF	SBL6-6	
—	—	8899	8900	8901	Dome 3/8"	3/16"	3/8" - 1/2"	11/16"	SD68BS	SB6-8	
—	18812	—	—	—	Lg Flange 5/8"	3/16"	3/8" - 1/2"	11/16"	SD68BSLF	SBL6-8	
—	—	8902	8903	—	Dome 3/8"	3/16"	1/2" - 5/8"	13/16"	SD610BS	SB6-10	
18814	—	—	—	—	Lg Flange 5/8"	3/16"	5/8" - 3/4"	15/16"	SD612BSLF	SBL6-12	
21402	—	—	—	—	Dome 1/2"	1/4"	5/8" - 3/4"	1"	SD812BS	—	
19048	—	—	—	—	Dome 1/2"	1/4"	3/4" - 1"	1-15/64"	SD816BS	—	

(Continued on next page)

Sec. 14

PAN'L BLIND RIVETS (Cont.)



Auveco Part No. Unit Package Quantity					Head (Flange) Type & Diameter	Rivet Dia.	Grip Range	Rivet Length Exc. Flange	Cross Reference	
25	50	100	500	1000					POP®	Marson Klik-Fast
Aluminum Rivet - Steel Mandrel										
—	—	8905	8906	8907	Dome 1/4"	1/8"	1/16" - 1/8"	7/32"	AD42BS	AB4-2
—	—	8908	8909	—	Cntrs nk 7/32"	1/8"	1/16" - 1/8"	7/32"	AK42BS	AC4-2
—	—	8911	8912	8913	Dome 1/4"	1/8"	3/16" - 1/4"	3/8"	AD44BS	AB4-4
—	—	8914	8915	—	Cntrs nk 7/32"	1/8"	3/16" - 1/4"	3/8"	AK44BS	AC4-4
—	—	19049	—	—	Dome 1/4"	1/8"	3/8" - 1/2"	41/64"	AD48BS	AB4-8
—	—	19050	—	—	Dome 5/16"	5/32"	3/16" - 1/4"	27/64"	AD54BS	AB5-4
—	—	8295	8294	8917	Dome 3/8"	3/16"	1/16" - 1/8"	9/32"	AD62BS	AB6-2
—	—	8307	8306	8918	Dome 3/8"	3/16"	1/8" - 1/4"	3/8"	AD64BS	AB6-4
—	—	8297	8296	8919	Dome 3/8"	3/16"	1/4" - 3/8"	9/16"	AD66BS	AB6-6
—	19051	—	—	—	Lg Flange 5/8"	3/16"	3/8" - 1/2"	11/16"	AD68BSLF	ABL6-8
Aluminum Rivet - Aluminum Mandrel										
—	—	19053	—	—	Dome 3/16"	3/32"	1/32" - 1/8"	15/64"	AD32ABS	AB3-2A
—	—	8309	8308	8920	Dome 1/4"	1/8"	1/16" - 1/8"	7/32"	AD42ABS	AB4-2A
—	—	8299	8298	—	Cntrs nk 7/32"	1/8"	1/16" - 1/8"	7/32"	AK42ABS	AC4-2A
—	—	8922	8923	8924	Lg Flange 3/8"	1/8"	1/16" - 1/8"	7/32"	AD42ABSLF	ABL4-2A
—	—	8925	8926	8927	Dome 1/4"	1/8"	3/16" - 1/4"	3/8"	AD44ABS	AB4-4A
—	—	8928	8929	8930	Cntrs nk 7/32"	1/8"	3/16" - 1/4"	3/8"	AK44ABS	AC4-4A
—	—	8931	8932	8933	Lg Flange 3/8"	1/8"	3/16" - 1/4"	3/8"	AD44ABSLF	ABL4-4A
—	—	16031	—	—	Dome 1/4"	1/8"	5/16" - 3/8"	1/2"	AD46ABS	AB4-6A
—	—	16032	—	—	Dome 1/4"	1/8"	3/8" - 1/2"	5/8"	AD48ABS	AB4-8A
—	—	20474	—	—	Lg. Flange 3/8"	1/8"	3/8" - 1/2"	5/8"	—	ABL4-8A
—	—	18727	—	—	Dome 5/16"	5/32"	1/16" - 1/8"	9/32"	AD52ABS	AB5-2A
—	—	18728	—	—	Dome 5/16"	5/32"	1/8" - 3/16"	11/32"	AD53ABS	AB5-3A
—	—	18729	—	—	Dome 5/16"	5/32"	3/16" - 1/4"	13/32"	AD54ABS	AB5-4A
—	18732	—	—	—	Lg Flange 15/32"	5/32"	3/16" - 1/4"	13/32"	AD54ABSLF	—
—	—	18730	—	—	Dome 5/16"	5/32"	1/4" - 3/8"	1/2"	AD56ABS	AB5-6A
—	18731	—	—	—	Dome 5/16"	5/32"	3/8" - 1/2"	5/8"	AD58ABS	AB5-8A
—	—	5755	5754	8934	Dome 3/8"	3/16"	1/16" - 1/8"	9/32"	AD62ABS	AB6-2A
—	—	8311	8310	8935	Dome 3/8"	3/16"	1/8" - 1/4"	7/16"	AD64ABS	AB6-4A
—	19055	—	—	—	Lg Flange 5/8"	3/16"	1/8" - 1/4"	7/16"	AD64ABSLF	ABL6-4A
—	—	8301	8300	8936	Dome 3/8"	3/16"	1/4" - 3/8"	9/16"	AD66ABS	AB6-6A
—	—	8313	8312	8937	Lg Flange 5/8"	3/16"	1/4" - 3/8"	9/16"	AD66ABSLF	ABL6-6A
—	—	8938	8939	8940	Dome 3/8"	3/16"	3/8" - 1/2"	11/16"	AD68ABS	AB6-8A
—	19056	—	—	—	Lg Flange 5/8"	3/16"	3/8" - 1/2"	11/16"	AD68ABSLF	ABL6-8A
—	—	18489	—	—	Dome 3/8"	3/16"	1/2" - 5/8"	13/16"	AD610ABS	AB6-10A
19057	—	—	—	—	Lg Flange 5/8"	3/16"	1/2" - 5/8"	13/16"	AD610ABSLF	ABL6-10A
19058	—	—	—	—	Dome 1/2"	1/4"	1/4" - 3/8"	39/64"	AD86ABS	AB8-6A
Stainless Steel Rivet - Stainless Steel Mandrel										
—	19060	—	—	—	Dome 1/4"	1/8"	3/16" - 1/4"	25/64"	SSD44SSBS	SSB4-4S
19061	—	—	—	—	Dome 3/8"	3/16"	3/8" - 1/2"	11/16"	SSD68SSBS	SSB6-8S
Stainless Steel Rivet - Steel Mandrel										
Replaces Ford No.: 383229-S										
To replace welded studs on body. (Use Auveco Rivet Gun No. 7915 w/ No. 7981 Nose Piece.)										
—	—	11104	11105	11106	Sm. Flange 3/16"	1/8"	3/16" - 1/4"	5/16"	R4357	SSBN4-3

RIVET GUNS & ACCESSORIES



Steel Rivet Washers
Zinc

16791

For 1/8" Dia.
1/2" O.D.
U.P.: 100

15973

For 5/32" Dia.
1/2" O.D.
U.P.: 100

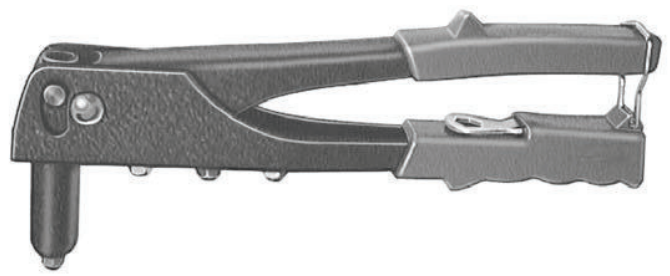
16792

For 3/16" Dia.
15/32" O.D.
U.P.: 100

RIVET GUNS & ACCESSORIES

19234

Economy Rivet Gun
With 3/32", 1/8", 5/32" and 3/16" nose pieces.
Overall Length: 10"
Replacement accessories are not available
UNIT PACKAGE: 1



7915

Pan'l Rivet Gun
With 3/32", 1/8", 5/32" and 3/16" nose pieces
Overall Length: 9-1/2"
UNIT PACKAGE: 1



19215

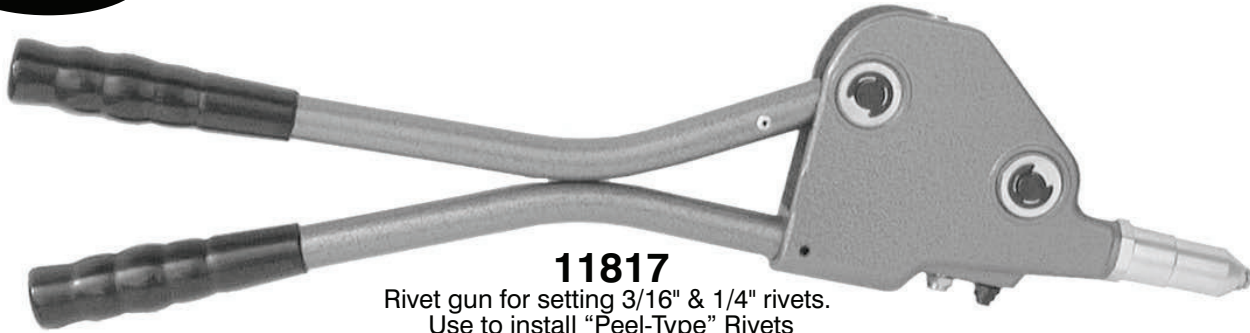
Replacement Jaws
For Auveco Rivet Gun
7915
UNIT PKG. 1 Set



Nose Pieces
For 7915 Rivet Gun

Auveco Part No.	Description	Unit Pkg.
7981	Use with 1/8" rivet 11104 to replace welded studs	1
7982	For 3/32" diameter rivets	1
7983	For 1/8" diameter rivets	1
7984	For 5/32" diameter rivets	1
7985	For 3/16" diameter rivets	1
7986	A set of one each of 7982, 7983, 7984 and 7985	1 Set

For the most up-to-date information on new items available from Auveco, refer to the "Hot New Items" section of the Auveco website (www.auveco.com)



11817

Rivet gun for setting 3/16" & 1/4" rivets.
 Use to install "Peel-Type" Rivets
 Comes complete with 3/16" and 1/4" standard
 nose pieces plus a nose piece
 for 1/4" "Peel Type" rivets. 22" long.

UNIT PACKAGE: 1

11817 Rivet Gun Accessories



19132
 Nose piece
 for 1/8"
 standard rivets
 UNIT PKG: 1



19133
 Nose piece
 for 3/16"
 standard rivets
 UNIT PKG: 1



19134
 Nose piece
 for 1/4"
 standard rivets
 UNIT PKG: 1



11853
 Nose piece for
 1/4" "peel type"
 rivets.
 UNIT PKG: 1



21656
 Nose Piece
 For 1/4"
 Monobolts
 UNIT PACKAGE: 1



14799
 Replacement jaws
 repair kit for rivet gun 11817
 UNIT PKG: 1



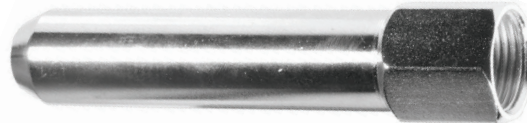
13808 For 3/16"
13809 For 1/4"
 Nose pieces for setting
 Auveco Klamp-Tite Rivets with a
Pneumatic Tool.
 UNIT PKG: 1



21655
 Nose Piece
 For 3/16"
 Monobolts
 UNIT PACKAGE: 1



19066
 Rivet Gun
 With nose pieces for
 3/32", 1/8", 5/32", 3/16" & 1/4" diameter rivets.
 Overall Length: 21"
 UNIT PACKAGE: 1



Not Actual Size



17498
 11817 Rivet Gun Extender Nosepiece Adapter Kt
 To retrofit Auveco Rivet Gun 11817 with nosepiece
 that extends the reach by 2-1/2" for a total of 5".
 UNIT PACKAGE: 1



14577

Replacement jaws repair kit
for 12087 monobolt setting tool.

UNIT PACKAGE: 1

RIVET GUNS FOR NYLON RIVETS



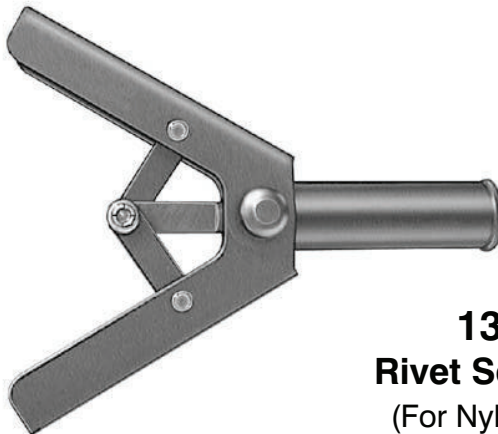
14155

Rivet Setter Gun

(For Nylon Rivets)

For use with nylon blind rivets. An economical tool that provides the extra long pulling stroke needed to set nylon (plastic) rivets. It features all steel construction and full-size vinyl coated handles for smooth, easy operation. Not for use with metal rivets. 9-1/2" long

UNIT PACKAGE: 1



13756

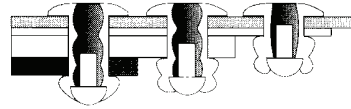
Rivet Setter Gun

(For Nylon Rivets)

For use with nylon (plastic) blind rivets. A durable tool that sets all sizes with a single stroke. All steel construction. Not for use with metal rivets. 6-1/2" long.

UNIT PACKAGE: 1

POP® MULTI-GRIP BLIND RIVETS
 Functions In A Wide Range Of Material Thicknesses

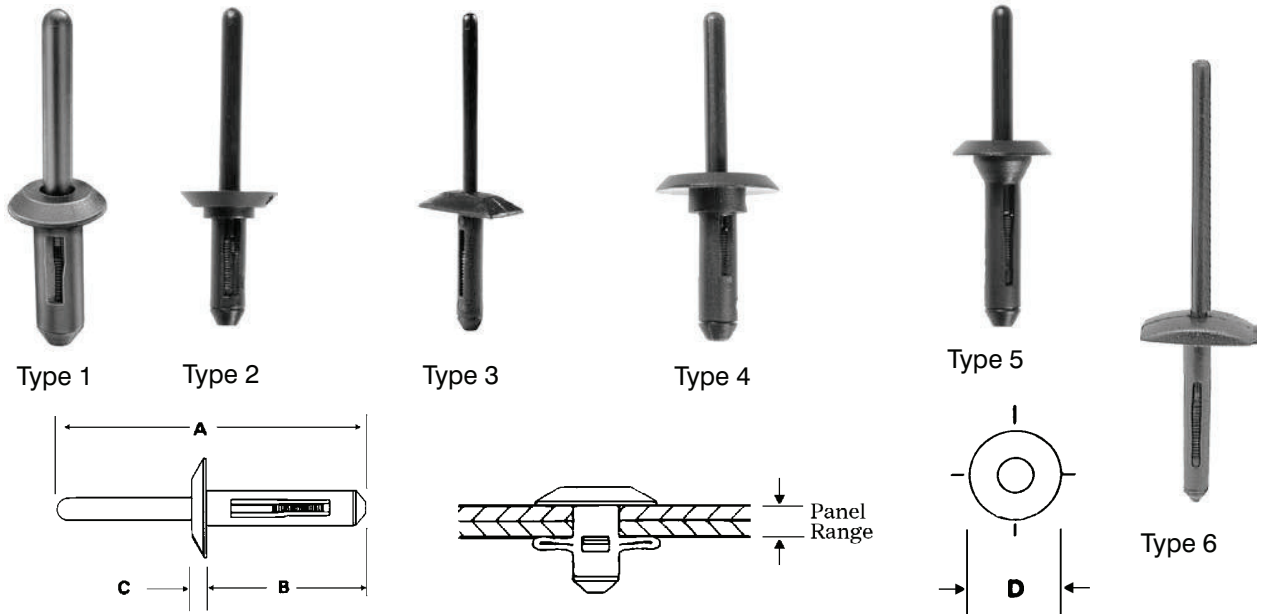


The Multi-Grip rivet will serve in applications where solid and soft materials and thicknesses normally require several rivet sizes. Oversize, irregular or misaligned holes are automatically compensated for by the self-adjusting hole-filling capability. The mandrel head is retained in the rivet body, forming a tight, weather resistant seal.

Auveco Part No.	Head Style & Diameter	Rivet Dia.	Hole Size	Grip Range	Rivet Length Excluding Flange	Unit Pkg.	POP® No.
Aluminum Rivet, Steel Mandrel							
19033	Large Flange 3/8"	1/8"	.129"-.142"	3/64"-3/16"	21/64"	100	AD41-43BSLF
19025	Dome 1/4"	1/8"	.129"-.142"	5/32"-5/16"	15/32"	100	AD43-45BS
19034	Large Flange 3/8"	1/8"	.129"-.142"	5/32"-5/16"	15/32"	100	AD43-45BSLF
19026	Dome 1/4"	1/8"	.129"-.142"	1/4"-7/16"	39/64"	100	AD45-47BS
18743	Dome 5/16"	5/32"	.160"-.173"	3/64"-1/4"	13/32"	100	AD52-54BS
17468	Large Flange 15/32"	5/32"	.160"-.173"	3/64"-1/4"	13/32"	50	AD52-54BSLF
19027	Dome 5/16"	5/32"	.160"-.173"	1/8"-5/16"	1/2"	50	AD53-55BS
18744	Dome 3/8"	3/16"	.192"-.205"	1/16"-1/4"	7/16"	50	AD62-64BS
19036	Large Flange 5/8"	3/16"	.192"-.205"	1/16"-1/4"	7/16"	50	AD62-64BSLF
19028	Dome 3/8"	3/16"	.192"-.205"	3/16"-3/8"	5/8"	50	AD63-66BS
19029	Dome 3/8"	3/16"	.192"-.205"	1/4"-1/2"	47/64"	50	AD66-68BS
19037	Large Flange 5/8"	3/16"	.192"-.205"	1/4"-1/2"	47/64"	50	AD66-68BSLF
19030	Dome 3/8"	3/16"	.192"-.205"	7/16"-3/4"	1-1/16"	50	AD68-612BS
19031	Dome 1/2"	1/4"	.261"-.275"	5/64"-11/32"	39/64"	25	AD82-86BS

AUTOMOTIVE O.E.M. NYLON BLIND RIVETS

Sec. 14



Auveco No.	Type	Color	O.E.M. Number	Hole Dia.	Panel Range (Grip)	A	B	C	D	Unit Pkg
17220	3	Black	GM: 21094747	5/32"	7/64"-7/32"	1-7/8"	3/4"	3/32"	**	50
15187	6	Black	Ford: N804583S	4mm	6mm-10.5mm	65mm	26mm	2.5mm	***	25
13746	1	Black	GM: 20612732	3/16"	1/16"-9/64"	1-7/8"	23/32"	3/32"	11/32"	25
18501	1	Black	Chry: 6502689	3/16"	5/32"-1/4"	1-27/32"	21/32"	1/16"	11/32"	25
21327	1	Black	GM: 11588308	4.95mm	3mm - 6mm	48mm	18mm	1.7mm	9mm	25
13747	1	Black	GM: 20423647 Ford: N804189S	13/64"	1/16"-11/64"	1-7/8"	23/32"	1/8"	15/32"	25
14005	1	Black	GM: 20465395, Chry: 6004212	13/64"	1/8"-5/32"	1-13/16"	21/32"	1/16"	11/32"	25
13748	1	Black	GM: 20432975 VW:175-853-57701C Chry: 6503800 Ford: N804343S	13/64"	1/8"-15/64"	1-7/8"	25/32"	1/16"	15/32"	25
13754	1	Black	Chry: 6500859	13/64"	1/8"-3/16"	1-7/8"	25/32"	1/16"	15/32"	25
13755	1	Black	Chry: 6500898 GM: 15718794	13/64"	15/64"-25/64"	2"	1"	1/16"	15/32"	25
14004	1	Black	GM: 25524005	15/64"	11/64"-11/32"	2-3/64"	1-1/8"	3/32"	1/2"	25
14023	1	Black	GM: 10036503	15/64"	5/32"-5/16"	2-1/8"	1-5/32"	3/32"	5/8"	25
18913	1	Black	Chry: 6503938	15/64"	5/32"-9/32"	2-5/32"	1-1/16"	3/32"	1/2"	25
20754	1	Black	BMW: 51-71-7-002-953-2	6mm	2.5mm-4.8mm	53mm	22mm	2.5mm	20mm	25
18028	2	Black	Chry: 4630088	1/4"	1/32"-11/64"	2-3/16"	13/16"	3/32"	21/32"	25
18031	2	Black*	Chry: 4630660	1/4"	1/32"-3/16"	2-1/8"	3/4"	3/32"	21/32"	25
15488	4	Black	GM: 10069112	1/4"	3/64"-5/32"	2-3/16"	15/16"	7/64"	13/16"	50
18242	5	Black	Chry: 6501509	1/4"	3/64"-3/16"	2-7/32"	1-1/8"	3/32"	25/32"	25
13749	1	White	GM: 14070914	1/4"	5/32"-15/64"	2-3/16"	23/32"	3/32"	21/32"	25
21446	1	Black	Chry: 6508444-AA	1/4"	5/32"-15/64"	2-3/16"	1-1/8"	3/32"	1-1/32"	15
18502	1	Black	General Purpose	1/4"	5/32"-1/4"	2-3/16"	23/32"	3/32"	21/32"	25
21028	1	Black	GM: 15614746	1/4"	5/32"-3/8"	2-3/16"	1-1/8"	3/32"	21/32"	25
18108	1	Black	Chry: 34201631	1/4"	5/32"-3/8"	2-7/32"	1-1/8"	3/32"	11/16"	25

* Black Rivet Body, White Mandrel

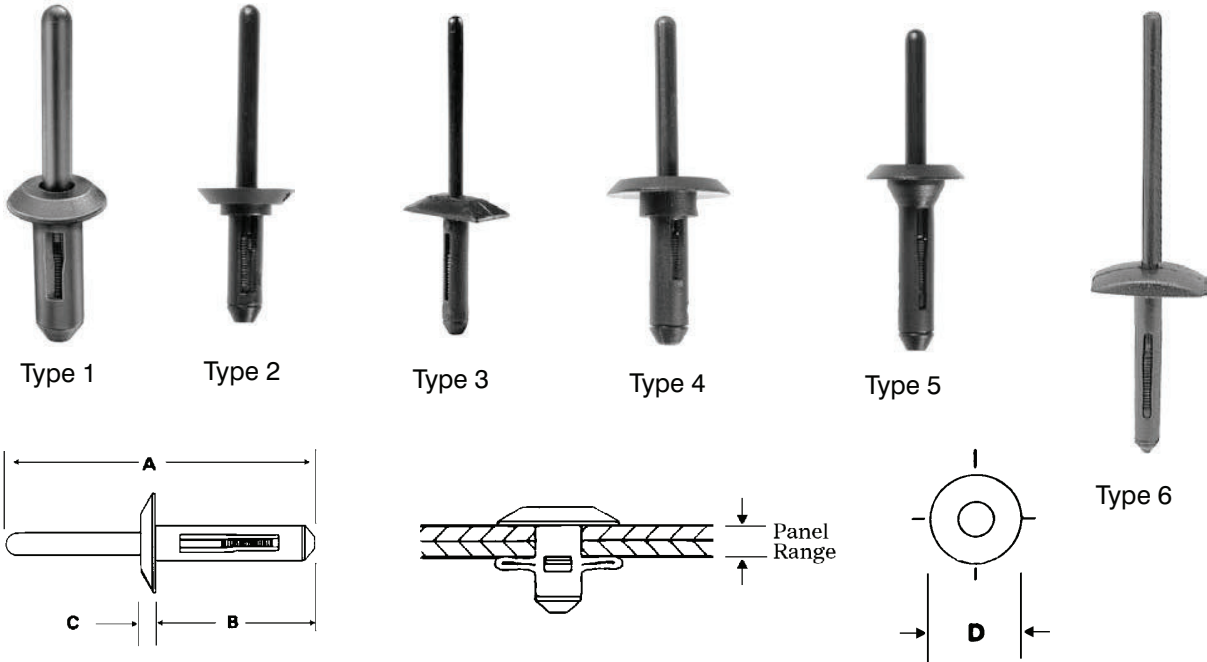
** 5/16" x 19/32"

8.5mm x 15.5mm

(Continued on next page)

Sec. 14

AUTOMOTIVE O.E.M. NYLON BLIND RIVETS (Cont.)



Auveco No.	Type	Color	O.E.M. Number	Hole Dia.	Panel Range (Grip)	A	B	C	D	Unit Pkg
17496	1	Gray	AMC: 8934-201-835	1/4"	5/32"-3/8"	2-7/32"	1-1/8"	3/32"	11/16"	25
14012	1	White	GM: 15506827	1/4"	5/32"-13/32"	2"	1-1/8"	3/32"	21/32"	25
13751	1	Black	GM: 10184895 Ford: N803862-S Chry: 6501559, 6506007-AA	1/4"	5/32"-13/32"	2-3/16"	1-3/32"	3/32"	1/2"	25
13750	1	Black	GM: 14063981 Ford: N803043-S Chry: 6500911, 6504700	1/4"	5/32"-13/32"	2-3/16"	1-3/32"	3/32"	21/32"	25
15491	1	Black	Ford: N804759-S	1/4"	19/64"-27/64"	2-1/8"	13/16"	3/32"	21/32"	25
17101	1	Black	Chry: 4370138, 6503860 Ford: N804675S	1/4"	5/16"-15/32"	2-9/32"	1-1/4"	3/32"	21/32"	25
13752	1	Black	GM: 15955172, 20421672	17/64"	3/32"-3/16"	1-7/8"	25/32"	3/32"	1/2"	25
13753	1	Black	GM: 20433026 VW: 175-853-577A	17/64"	3/32"-3/16"	1-7/8"	25/32"	3/32"	23/32"	25
15490	1	Black	GM: 10109689, 12337915	9/32"	3/32"-15/64"	2-3/16"	15/16"	3/32"	23/32"	25

Note: Use rivet guns 13756 or 14155 to install all of the above rivets.

**When The World Thinks Of
Body Hardware & Specialty Fasteners,
Only One Name Comes To Mind..... Auveco**

AVEX® BLIND RIVETS



What Makes Avex® Different...And Better?

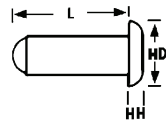
The Avex® rivet adds important... and exclusive...features to those offered by ordinary blind rivets. The unique advantages designed into the Avex® rivet allow for its use:

In wide-tolerance holes. Since the rivet can expand up to its own head diameter, accurate hole sizing or alignment is not necessary.

To pull sheets together. The extraordinary rivet tail expansion automatically effects superior clamp-up action on the parts being assembled.

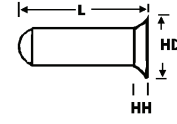
Over a vast range of thicknesses. The “dubble-bubble” expansion feature offers the capability to fasten securely in both thick and thin grip ranges with a single length rivet.

While providing a sealed stem. The rivet material flows both behind and in front of the mandrel insuring a positively retained and sealed stem.



Dome Head

Aluminum Rivets
Steel Mandrels
(Zinc & Yellow)



120° Countersunk

Auveco Part No.				Head (Flange) Style	Rivet Dia.	Grip	Length L	Flange Dia. HD	Flange Height HH	Hole Size
Unit Package										
50	100	500	1000							
.....	10336	10337	Countersunk	1/8"	To 1/4"	15/32"	.205"	.030"	.136"
.....	10348	10349	10350	Dome	1/8"	To 5/16"	1/2"	.215"	.044"	.136"
.....	10351	10352	Dome	5/32"	To 1/4"	15/32"	.255"	.057"	.166"
.....	10354	10355	10356	Dome	3/16"	To 1/4"	17/32"	.349"	.070"	.199"
.....	10357	10358	10359	Dome	3/16"	To 7/16"	23/32"	.349"	.070"	.199"
.....	10345	10346	Countersunk	3/16"	To 1/2"	25/32"	.339"	.050"	.199"
17654	17655	Dome	1/4"	To 11/32"	21/32"	.500"	.094"	.268"

Avex® Brazier Head Rivets



Auveco Part No.	Rivet Dia.	Grip Range	Rivet Body Length	Head Dia.	Unit Pkg.
Aluminum Rivet -Steel Mandrel (Zinc)					
17432	3/16"	1/16"-1/4"	1/2"	15/32"	50
17433	3/16"	3/16"-7/16"	11/16"	15/32"	50

Large Head 3/16" Plywood Rivets



Non-Structural -Break Mandrel Rivets
Aluminum Rivet, Steel Mandrel (Plated)

Auveco Part No.	Grip	Hd. Dia.	Head Thick.	Hole Size & Drill	Unit Pkg.
13805	3/8"-1/2"	5/8"	3/32"	.192 To .196"	50
13807	7/8"-1"	5/8"	3/32"	#11	50

Stavex® Large Flange Rivets



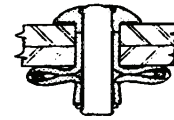
- Large flange head enables soft, pliable materials to be fastened
- All steel construction (zinc plated) provides high shear and tensile values.
- Typical applications:
 - Plastic energy absorber strip to automotive bumper
 - Plywood liners to both sidewalls and roofs in truck bodies and trailers

Auveco Part No.	Dia.	Grip	Flange Dia.	Hole Size	Unit Pkg.
16988	3/16"	3/16"-1/4"	5/8"	.192-.196"	25
16989	3/16"	1/4"-3/8"	5/8"	.192-.196"	25
16990	3/16"	3/8"-1/2"	5/8"	.192-.196"	25

Sec. 14

AUVECO KLAMP-TITE RIVET

Largest Blind Head
Mandrel Breaks Flush With Top Of Rivet Head Anywhere Within Grip Range.
Fills Hole Tightly, High Clamp-Up, Water Tight Capability, Fully Cored



Material: Rivet 5056 Aluminum, Mandrel -7075 Aluminum
Finish: Wax (Do Not Remove)

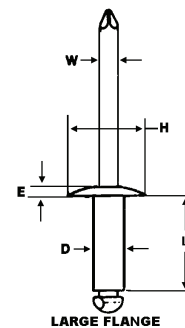
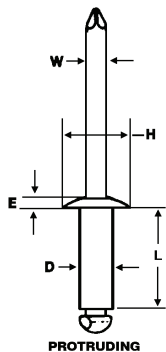
Structural - Self Plugging
Head Style - Protruding

Note: For use with pneumatic tool using (13808-3/16") and (13809-1/4") nose pieces on page 242.



Auveco Part No.	Unit Pkg.	Rivet Dia.	Grip Range	Hole And Drill Size	Mand. Dia.	Rivet Dia.	Head Dia.	Head Thick	Rivet Length Max.
13766	50	3/16	3/64"-1/4"	.204-.209 (#5)	.103	.200	.445	.088	.890
13767			3/16"-3/8"						.985
13768			3/8"-9/16"						1.045
13769	25	1/4	3/64"-1/4"	.252-.262 (F)	.136	.245	.560	.113	.920
13770			3/16"-3/8"						1.045

BLIND TACKING RIVETS



Nom. Rivet Dia.	Hole Size And Drill Number	W Mand. Dia.	D Rivet Dia.	Protruding Head		Large Flange Head	
				H Head Dia.	E Max.	H Head Dia.	E Max
1/4"	.257-.261 (F)	.151	.250	.500	.080	.750	.107

Steel Rivet -Plated
Steel Mandrel -Coated

Non-structural -Break mandrel rivets
Conform to IFI-114 Standards

Auveco Part No.			Head Style	Rivet Dia.	Grip	Rivet Length L
Unit Package						
25	50	100				
—	13793	—	Large Flange	1/4"	1/8"-1/4"	1/2"
13781	—	13782	Protruding	1/4"	1/4"-3/8"	5/8"
13796	—	—	Large Flange	1/4"	1/2"-5/8"	13/16"

Large Secondary Head Rivets

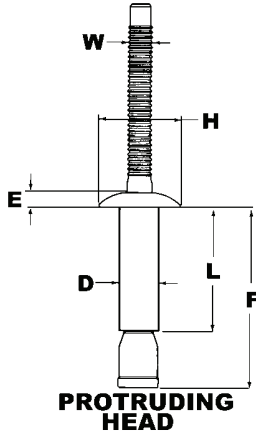


Rivets that fasten securely into thick and thin materials.
Will pull soft or brittle materials. Can be used in an oversized hole.

Auveco Part No.	Head (Flange) Type & Diameter	Rivet Dia.	Grip Range	Rivet Length Excluding Flange	Unit Pkg.
Aluminum Rivet, Aluminum Mandrel					
17471*	Dome	5/16"	1/8"	5/64"-3/8"	25
19062	Dome	5/16"	5/32"	0-1/4"	25

* Not A Split Type

MONOBOLT® FASTENING SYSTEM



Nom. Rivet Dia.	Hole Size And Drill Number	W Mand. Dia.	D Rivet Dia.	Protruding Head	
				H Head Dia.	E Head Thick
3/16	.191-.201 (#11)	.118	.187	.390	.070
1/4	.261-.272(G)	.157	.257	.515	.100

Typical Rivet Shear And Tensile Strength (lbs) and Mandrel Push-Out When Installed In Nominal Grip.

Rivet Dia.	Aluminum Rivet Aluminum Mandrel			Steel Rivet Steel Mandrel		
	Shear	Tensile	Mandrel Push-Out	Shear	Tensile	Mandrel Push-Out
3/16	625	500	50	1300	1000	100
1/4	1300	890	100	2400	2150	250



Auveco Part No.	Dia	Grip	DIM "L"	DIM "F"	Head Style	Material	Unit Pkg.
12080	3/16"	.062/.270	.406	.748	Protruding	Steel-Zinc Plated	25
12088	3/16"	.062/.270	.406	.748	Protruding	Steel-Zinc Plated	100
12081	3/16"	.214/.420	.531	.882	Protruding	Steel-Zinc Plated	25
12089	3/16"	.214/.420	.531	.882	Protruding	Steel-Zinc Plated	100
12083	3/16"	.214/.420	.531	.846	Protruding	Aluminum	25
12091	3/16"	.214/.420	.531	.846	Protruding	Aluminum	100
12084	1/4"	.080/.375	.550	.971	Protruding	Steel-Zinc Plated	25
12092	1/4"	.080/.375	.550	.971	Protruding	Steel-Zinc Plated	100
12085	1/4"	.350/.625	.855	1.123	Protruding	Steel-Zinc Plated	25
12093	1/4"	.350/.625	.855	1.123	Protruding	Steel-Zinc Plated	100
12086	1/4"	.080/.375	.550	.961	Protruding	Aluminum	25
12094	1/4"	.080/.375	.550	.961	Protruding	Aluminum	100
13773	1/4"	.350/.625	.810	1.174	Protruding	Aluminum	25
13774	1/4"	.350/.625	.810	1.174	Protruding	Aluminum	100

The System

Blind Installation -The single side installation feature of the Auveco Monobolt System allows one operator to produce high quality structural joints in seconds. Use of the Monobolt power tool does not require special skill or training, because the tool completely controls the installation cycle.

Multi-Grip One size Monobolt fastener will function effectively in a wide range of material thicknesses (Example: .080" to .375"). This versatility decreases the potential for production errors and reduces fastener inventory requirements.

Uniform Clamping Action Monobolt fasteners are engineered to draw materials together by developing positive clamping action.



And Its Advantages

Structural Fastening An installed Monobolt fastener yields high shear and tensile values. Conventional fasteners can be replaced by Monobolt without compromising structural requirements.

Positive Stem Retention: At the completion of the installation cycle, the stem is mechanically locked into the Monobolt shell, creating a vibration-proof joint of assured structural quality.

Flush Break Stem: Within the specific grip range for each size, Monobolt fastener, the stem is designed to break flush with the low profile head. Secondary finishing operations, such as grinding or milling, are not necessary to achieve good product appearance.

Complete Hole Fill: During installation, the Monobolt shell expands into 360° contact with the walls of the parent material. This feature, in conjunction with positive stem retention, produces weather resistant joints.

Quiet, Safe Installation: The Monobolt System, operating at 85db ("A" Weighted), complies with OSHA regulation governing plant noise levels and operator safety

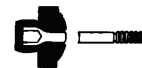
How It Works



1. The Monobolt fastener is loaded into the nose of the placing tool and inserted in a prepared hole. As the tool is actuated, the pulling jaws grip the Monobolt stem.



2. An axial pull draws the stem through the shell, expanding it radially. During this phase, the hole is completely filled and work pieces are drawn together.



3. When the stem reaches a pre-determined position within the Monobolt shell, it separates flush with the head profile regardless of work piece thickness. Simultaneously, the stem section remaining in the shell is mechanically locked in place by the Monobolt tool.

Sec. 14

ULTRA GRIP DOME HEAD HIGH STRENGTH RIVETS



High strength Ultra grip rivets feature a positive mechanical locking system that provides superior holding power. This system also guarantees 100% mandrel retention that's visually verifiable. Can be set with Auveco rivet gun 11817.

Auveco Part No.	Rivet Dia.	Grip Range	Rivet Body Length	Head Dia.	Unit Pkg.	Conversion			
						Pop® Ultra Grip	Cherry Monobolt	Avdel Monobolt	Huck Magna-Lock
Aluminum Rivet -Aluminum Mandrel									
17421	3/16"	1/16" -17/64"	13/32"	3/8"	25	AD627OUG	BAPV-64	2774-0613	MGLP-B6-4
17422	3/16"	1/16" -7/16"	9/16"	3/8"	25	AD6437UGX	—	2774-0617	MGLP-B6-E
17423	1/4"	5/64" -3/8"	9/16"	1/2"	25	AD8375UG	BAPV-86	2774-0817	MGLP-B8-6
17424	1/4"	5/64" -5/8"	13/16"	1/2"	15	AD8625UGX	—	2774-0824	MGLP-B8-E
Steel Rivet -Steel Mandrel									
17425	3/16"	1/16" -17/64"	13/32"	3/8"	25	SD627OUG	SSPV-64	2771-0613	MGLP-R6-4
17427	1/4"	5/64" -3/8"	9/16"	1/2"	25	SD8375UG	SSPV-86	2771-0817	MGLP-R8-6
17428	1/4"	5/64" -5/8"	13/16"	1/2"	15	SD8625UGX	—	2771-0824	MGLP-R8-E
Stainless Steel Rivet -Stainless Steel Mandrel									
17429	3/16"	1/16" -17/64"	13/32"	3/8"	10	SSD627OUG	CCPV64	2711-0613	MGLP-U6-4



Closed -End Rivets

Can Be Set With Auveco Rivet Gun 7915.

Auveco Part No.	Head (Flange) Type & Diameter	Rivet Dia.	Grip Range	Rivet Length Excluding Flange	Unit Pkg.
Black Aluminum Rivet -Black Aluminum Mandrel					
17408	Dome	15/64"	1/8"	13/64" - 9/32"	50
17410	Dome	3/8"	3/16"	3/8" -1/2"	25
Aluminum Rivet -Aluminum Mandrel					
17419	Dome	3/8"	3/16"	1/16" - 1/8"	50
17420	Dome	3/8"	3/16"	1/8" - 1/4"	50
Aluminum Rivet -Steel Mandrel					
17411	Dome	15/64"	1/8"	1/16" - 1/8"	50
19065	Countersunk	5/16"	5/32"	1/8" - 3/16"	100
17414	Dome	3/8"	3/16"	1/16" - 1/8"	50
17415	Dome	3/8"	3/16"	1/8" - 1/4"	50
17416	Dome	3/8"	3/16"	1/4" - 3/8"	50

"PEEL-TYPE" SPECIALTY RIVETS

Sec. 14

Rivets Are Listed In Columns By Diameter Then By Flange Diameter & Lastly By Minimum Grip



19462

(W525170-S)

"Peel-Type" Rivet
3/16" Diameter
Grip: 1/32"-1/4"
Flange Diameter: 1/2"
Aluminum Rivet
Steel Mandrel (Zinc)
Heat Shield &
Outer Moulding
Ford Continental,
Crown Victoria,
Explorer, Grand Marquis,
Mark VII, Ranger, Sable
Taurus & Town Car
1995-On

UNIT PACKAGE: 25



19110

(W525172-S)

"Peel-Type" Rivet
1/4" Diameter
Grip: 1/32"-7/32"
Flange Diameter: 1/2"
Aluminum Rivet
Steel Mandrel (Zinc)
Glass, Regulator Assembly
& Remote Latch Assembly
Ford Mustang &
Lincoln Continental
1994-On

UNIT PACKAGE: 25



11852

(Ford: 388047-S100;
GM: 14078435)

"Peel-Type" Rivet
1/4" Diameter
Grip: 5/64" - 7/64"
Flange Diameter 1/2"
Recess Under Head
Aluminum Rivet
Steel Mandrel
Attaches Outside
Door Handle
Ford 1978-On
Heat Shield Attachment
GM

UNIT PACKAGE: 25



19414

(W525170-S417)

"Peel-Type" Rivet
3/16" Diameter
Grip: 1/32"-1/4"
Flange Diameter: 1/2"
Aluminum Rivet (Black)
Steel Mandrel (Zinc)
Side Door
Lock Attachment
Mercury Villager
1995-On

UNIT PACKAGE: 25



19461

(W525172-S417)

"Peel-Type" Rivet
1/4" Diameter
Grip: 1/32"-7/32"
Flange Diameter: 1/2"
Aluminum Rivet (Black)
Steel Mandrel (Zinc)
Outside Door Handle
Ford Crown Victoria,
Econoline, Explorer,
Grand Marquis, Ranger,
Sable, Taurus & Windstar
1995-On

UNIT PACKAGE: 15



12653

(388047-S102)

"Peel-Type" Rivet
Dia: 1/4"
Grip: 3/32"-1/8"
Flange Dia: 1/2"
Aluminum Rivet (Black)
Steel Mandrel
Door Handle Assembly
Ford 1981-On

UNIT PACKAGE: 25



11620

(GM: 9436175;
Ford: 385189-S100;
Chrys: 6031115)

"Peel-Type" Rivet
1/4" Diameter
Grip: 1/32" - 9/64"
Flange Diameter: 1/2"
Aluminum Rivet
Steel Mandrel
Window Regulators
GM, Ford & Chrysler
1971-On
Use with Auveco Tool
11817 & Nose Piece
11853

UNIT PACKAGE: 25

16837

Same as 11620 Except For
Packing

UNIT PACKAGE: 50

**Use 11817 Rivet Gun
With 11853
Nose Piece
(Page 242)
To Set All 1/4"
"Peel-Type" Rivets**



15684

(20713843)

"Peel-Type" Rivet
1/4" Diameter
Grip 7/64" - 11/64"
Flange Diameter 1/2"
Recess Under Head
Aluminum Rivet,
Steel Mandrel
Used On Window
Regulators
& Door Lock Assemblies
GM A & J Cars

UNIT PACKAGE: 25

Sec. 14**"PEEL-TYPE" SPECIALTY RIVETS**

Rivets Are Listed In Columns By Diameter Then By Flange Diameter & Lastly By Minimum Grip

**12655**(GM: 9437486;
Chry: 6032926)

"Peel-Type" Rivet
1/4" Diameter
Grip: 9/64" - 3/16"
Flange Diameter: 1/2"
Aluminum Rivet
Steel Mandrel
Window Regulators
GM 1981-On

UNIT PACKAGE: 25

**11621**(Ford: 385323-S100;
Chrys: 6031091;
GM: 9437938)

"Peel-Type" Rivet
1/4" Diameter
Grip: 33/64" - 19/32"
Flange Diameter: 1/2"
Aluminum Rivet
Steel Mandrel
Window Regulator
GM, Ford & Chrysler
1976-On

Use with Auveco
Tool 11817 &
Nose Piece 11853

UNIT PACKAGE: 10

**19420**

(W525174S)

"Peel-Type" Rivet
1/4" Diameter
Grip: 13/64"-13/32"
Flange Diameter: 5/8"
Aluminum Rivet
Steel Mandrel (Zinc)
Door Handle
Ford Ranger
1997-On

UNIT PACKAGE: 25

**14486**(GM: 9437486;
Chry: 6032926)

"Peel-Type" Rivet
1/4" Diameter
Grip: 9/64" - 3/16"
Flange Diameter: 1/2"
Aluminum Rivet
Steel Mandrel
Used On Window
Regulators,
Quarter Vent Handle
Assemblies & Electrical Door
Lock Linkage.
GM & Chrysler 1981-On

UNIT PACKAGE: 25

**12658**(GM: 12338153,
20184399;
Ford: 389268-S100)

"Peel-Type" Rivet
1/4" Diameter
Grip 11/16" - 3/4"
Flange Diameter 1/2"
Aluminum Rivet
Steel Mandrel
Window Regulator
GM & Ford 1979-On

UNIT PACKAGE: 25

**19456**

(W525175-S)

"Peel-Type" Rivet
1/4" Diameter
Grip: 25/64" - 21/32"
Flange Diameter: 5/8"
Aluminum Rivet
Steel Mandrel (Zinc)
Front Door Window
Ford Continental,
Crown Victoria,
Explorer, Grand Marquis,
Mark VIII, Mustang,
Ranger, Sable,
Taurus, Town Car
& Windstar
1996-On

UNIT PACKAGE: 15

**20402**

(9437643)

"Peel-Type" Rivet
1/4" Diameter
Grip: 3/16" - 1/4"
Flange Diameter: 1/2"
Aluminum Rivet
Steel Mandrel (Zinc)
Window Regulator
Saturn
1993 - On

UNIT PACKAGE: 25

**18396**

(N808594-S100)

"Peel-Type" Rivet
1/4" Diameter
Grip: 1/8"-5/16"
Flange Diameter: 5/8"
Aluminum Rivet
Steel Mandrel
(Zinc & Yellow)
Door Lock Actuator
Ford

UNIT PACKAGE: 25

**18167**(Ford: N804193-S100;
GM: 9441592, 15672713)

"Peel-Type" Rivet
1/4" Diameter
Grip: 3/32"-9/64"
Flange Diameter: 3/4"
Aluminum Rivet (Black)
Steel Mandrel
Front Door Handle
& Door Lock Actuator
Tempo, Topaz, T-Bird
& Cougar 1984-On
Rocker Panel Moulding
Chevrolet Beretta & Corsica
1996 - 92

UNIT PACKAGE: 25

"PEEL-TYPE" SPECIALTY RIVETS

Sec. 14

Rivets Are Listed In Columns By Diameter Then By Flange Diameter & Lastly By Minimum Grip



19458
(N808689-S417)
"Peel-Type" Rivet
1/4" Diameter
Grip: 1/8"-21/64"
Flange Diameter: 3/4"
Aluminum Rivet (Black)
Aluminum Mandrel
Door Lock Actuator
Ford Continental,
Crown Victoria,
F Series Truck,
Grand Marquis,
Mark VII, Mustang,
Ranger, Sable, Taurus,
Town Car & Windstar
1995-On
UNIT PACKAGE: 10



18500
1/8" Diameter
Grip: 3/16"-1/4"
Flange Dia: 3/16"
Aluminum Rivet
Aluminum Mandrel
Trim Moulding Attachment
UNIT PACKAGE: 100



17408
(N803933-S101)
1/8" Diameter
Grip: 13/64"-9/32"
Flange Diameter: 15/64"
Closed End
Aluminum Rivet (Black)
Aluminum Mandrel (Black)
Luggage Rack
Ford
UNIT PACKAGE: 50



20987
(Not Available From O.E.M.)
3/32" Diameter
Shoulder Diameter: 1/8"
Grip: Up To 3/32"
Flange Diameter: 3/16"
Aluminum Rivet
Aluminum Mandrel
Replaces welded on studs
for attaching stud style
moulding clips
UNIT PACKAGE: 25



11104 U.P: 100
11105 U.P: 500
11106 U.P: 1000

(Ford: 383229-S)
Dia: 1/8"
Grip: 3/16"-1/4"
Flange Dia: 3/16"
Stainless Steel Rivet
Steel Mandrel
REPLACES WELDED STUDS
ON BODY PANELS.
USE AUVECO RIVET GUN 7915
& NOSE PIECE 7981.



17469
(375936-S)
Diameter: 1/8"
Grip: 1/32"-1/8"
Flange Dia: 1/4"
Stainless Steel Rivet
Stainless Steel Mandrel
Attaches Body Side Mouldings
(Sets flush, does not leave a raised
stud)
UNIT PACKAGE: 100



7981
Rivet Gun Nose Piece
Used to set Auveco
Rivet 11104
With Rivet Gun 7915
UNIT PACKAGE: 1



21418
(6508540-AA)
1/8" Diameter
Grip: 1/32" - 3/16"
Flange Diameter: 1/4"
Black Aluminum Rivet
Steel Mandrel (Zinc)
Chrysler General Purpose
UNIT PACKAGE: 25



10658
Dia: 3/32"
Grip: 1/8"-1/4"
Flange Dia: 3/16"
Aluminum Rivet
Aluminum Mandrel
REPLACES WELDED STUDS
ON BODY PANELS.
UNIT PACKAGE: 100



20788
(90269-04051, 90269-A0006)
1/8" (3.2mm) Diameter
Grip: 3/64" - 1/8"
(1.2mm - 3.4mm)
Flange Diameter: 15/64" (6mm)
Aluminum Rivet
With Plastic Cap
Steel Mandrel
Lexus
1998 - On
UNIT PACKAGE: 10



18303
1/8" Diameter
Grip: 1/16"-1/8"
Flange Diameter: 1/4"
Aluminum Rivet (Black)
Aluminum Mandrel
Attachment Of Rear
Window Trim
Moulding
Ford Explorer
1990-On
UNIT PACKAGE: 50



18499
1/8" Diameter
Grip: 1/8"-3/16"
Flange Dia: 3/16"
Aluminum Rivet
Aluminum Mandrel
Trim Moulding Attachment
UNIT PACKAGE: 100

Sec. 14**"PEEL-TYPE" SPECIALTY RIVETS**

Rivets Are Listed In Columns By Diameter Then By Flange Diameter & Lastly By Minimum Grip

**17470**
(378527)Diameter: 1/8"
Grip: 1/8"-3/16"
Flange Dia: 1/4"
Aluminum Rivet
Aluminum Mandrel
Attaches Climate Controls
Ford

UNIT PACKAGE: 50

**19657**
(6034848)1/8" Diameter
Grip: 1/32"-3/16"
Flange Diameter: 5/16"
Aluminum Rivet
Steel Mandrel
(Zinc & Yellow)
Rocker Panel & Cladding
Chrysler LH Series
1993-On

UNIT PACKAGE: 50

**12656**
(20325696)Dia: 1/8"
Grip: 1/8" - 3/16"
Flange Dia: 5/16"
Aluminum Rivet
Steel Mandrel
Rear Window Gasket
Attachment
GM 1981-On

UNIT PACKAGE: 50

**17467**
(375203S)Diameter: 1/8"
Grip: 1/8"-3/16"
Flange Dia: 1/4"
Stainless Steel Rivet;
Steel Mandrel
Attaches Body Side
Moulding Ret.
(Sets flush, does not
leave a raised stud)
Ford

UNIT PACKAGE: 100

**20787**
(90269-04006)1/8" (3.2mm) Diameter
Grip: 3/64" - 5/32"
(1.2mm - 4.0mm)
Flange Diameter:
5/16" (8mm)
Aluminum Rivet
With Plastic Cap
Steel Mandrel
Lexus
1998 - On

UNIT PACKAGE: 10

**20628**
(90269-04050)1/8" (3.2mm) Diameter
Grip: 5/32" - 5/16"
(4mm - 8mm)
Flange Diameter:
5/16" (8mm)
Aluminum Rivet
With Plastic Cap
Steel Mandrel
Windshield, Side &
Trunk Moulding
Lexus GS300, 400, 430
& SC430
1998 - On

UNIT PACKAGE: 15

**21114**
(11610210)1/8" Diameter
Grip: 5/32" - 5/16"
Flange Diameter: 1/4"
Aluminum Rivet
Aluminum Mandrel
Rear Bumper Fascia
Chevrolet Equinox
2005 - On

UNIT PACKAGE: 50

**20627**
(90269-04053)1/8" (3.2mm) Diameter
Grip: 3/64" - 3/16"
(1mm - 4.8mm)
Flange Diameter:
5/16" (8mm)
Aluminum Rivet (Black)
With Plastic Cap
Steel Mandrel (Black)
Mouldings
Toyota Landcruiser
1998 - On

UNIT PACKAGE: 10

**17615**
(6032856)Diameter: 1/8"
Grip: 3/16"-3/8"
Flange Diameter: 5/16"
Aluminum Rivet (Black)
Steel Mandrel
Body Side Moulding
& Universal Applications
Chrysler

UNIT PACKAGE: 50

**19202**1/8" Diameter
Grip: 3/16"-1/4"
Flange Diameter: 1/4"
Aluminum Rivet (Black)
Aluminum Mandrel
GM & General Purpose
UNIT PACKAGE: 100**19406**
(6035414)Diameter: 1/8"
Grip: 1/16"-1/4"
Flange Diameter: 5/16"
Aluminum Rivet
Steel Mandrel (Zinc)
Cladding To
Fender Attachment
Chrysler Concorde,
Eagle & Intrepid
1997-On

UNIT PACKAGE: 50

**18304**1/8" Diameter
Grip: 1/16"-1/8"
Flange Diameter: 3/8"
Aluminum Rivet (Black)
Steel Mandrel
Attachment Of Door
Glass Moulding
Ford 1993-On

UNIT PACKAGE: 50

SPECIALTY RIVETS

Sec. 14

Rivets Are Listed In Columns By Diameter Then By Flange Diameter & Lastly By Minimum Grip



21320

(90269-03064)

Rocker Moulding
3.2mm (1/8") Diameter
Grip: 1.6mm-3.2mm
(1/16"-1/8")
Flange Diameter: 9.5mm (3/8")
Aluminum Rivet
Aluminum Mandrel
Black Flange
Lexus ES 300 & Others
2002 - On

UNIT PACKAGE: 15



16834

(N805759-S100)

Diameter: 1/8"
Grip: 1/8"-3/16"
Flange Diameter: 3/8"
Aluminum Rivet (Black)
Aluminum Mandrel
Windshield Side Rail
Ford T-Bird &
Mercury Cougar
1989-On

UNIT PACKAGE: 50

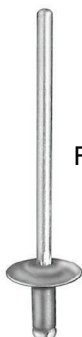


16686

(9432552)

Dia: 1/8"
Grip: 1/8" - 3/16"
Flange Dia: 3/8"
Aluminum Rivet
Steel Mandrel
Large Flange
Multi-Purpose Rivet
GM
1978-On

UNIT PACKAGE: 100



19419

(N811460-S100)

1/8" Diameter
Grip: 1/8"-3/16"
Flange Diameter: 3/8"
Steel Rivet (Black)
Steel Mandrel
(Zinc & Yellow)
Door Moulding
Ford Taurus
1996-On

UNIT PACKAGE: 15



21082

(75547-51021)

1/8" (3.2mm) Diameter
1/4" (6.3mm) Nylon Shoulder
Diameter
Grip: 1/32" - 1/16"
(.8mm - 1.5mm)
Flange Diameter:
13/32" (10.3mm)
Aluminum Rivet
With Plastic Cap
Steel Mandrel
Windshield

Lexus IS 250, IS 350 & IS F
2006 - On
Toyota 2002 - On

UNIT PACKAGE: 15



18461

(Ford: N807620-S100;
GM: 10131511)

Split-Type Rivet
5/32" Diameter
Grip: 3/64"-1/4"
Flange Diameter: 5/16"
Aluminum Rivet (Black)
Aluminum Mandrel
Wheel Openings
Lincoln 1994-On
Bumper Cover,
Grille & Rocker Moulding
GM 1997 - On

UNIT PACKAGE: 25



20971

(003-990-94-97)

Split-Type Rivet
5/32" (4mm) Diameter
Grip: 3/64" - 9/32"
(1mm - 7mm)
Flange Diameter:
5/16" (8mm)
Aluminum Rivet
Aluminum Mandrel
Mercedes-Benz
2004 - On

UNIT PACKAGE: 25



21113

(01515-0009U)

Split-Type Rivet
5/32" (4mm) Diameter
Grip: 3/64" - 9/32"
(1mm - 7mm)
Flange Dia: 5/16" (8mm)
Aluminum Rivet (Black)
Aluminum Mandrel
Bumper
Nissan Pathfinder
2006 - On

UNIT PACKAGE: 25



20383

(90084-26002)

5/32" (4mm) Diameter
Grip: 1/16" - 1/4"
(1.6mm - 6.3mm)
Flange Diameter:
5/16" (8mm)
Aluminum Rivet
Aluminum Mandrel
Door Window Moulding
Toyota Camry 1997 - On

UNIT PACKAGE: 50



16687

(GM: 9432137;
Chrys: 6032138)

Diameter: 5/32"
Grip: 1/8"-3/16"
Flange Diameter: 5/16"
Aluminum Rivet,
Steel Mandrel
Countersunk Head
Trunk Lock
Swivel Emblem Rivet
Requires nosepiece 16688
GM 1973-On

UNIT PACKAGE: 25



16688

Rivet Gun Nosepiece
Used to set Auveco Rivet 16687

UNIT PACKAGE: 1

Sec. 14**SPECIALTY RIVETS**

Rivets Are Listed In Columns By Diameter Then By Flange Diameter & Lastly By Minimum Grip

**20629**

(6036148-AA)

Split-Type Rivet
5/32" Diameter
Grip: 3/64" - 1/4"
Flange Diameter: 7/16"
Aluminum Rivet (Black)
Aluminum Mandrel
Front Bumper, Trim Panel,
Instrument Panel &
Running Boards
Chrysler
1999 - On

UNIT PACKAGE: 25

**15187**(N804583S)
Black Nylon

Cowl Vent Grille
Retainer Rivet
5/32" (4mm) Diameter
Grip: 15/64" - 13/32"
(6mm-10.5mm)
Flange Size: 11/32" x 5/8"
(8.5mm x 15.5mm)
Ford Aerostar 1986-On

UNIT PACKAGE: 25

**16864**

(10125439)

Split-Type Rivet
Dia: 3/16"
Grip: 3/64"-11/32"
Flange Dia: 3/8"
Aluminum Rivet (Black)
Aluminum Mandrel
Moulding Attachment
APV Vans 1990-On

UNIT PACKAGE: 25

**17468**

(16715497)

Dia: 5/32"
Grip: 3/64"-1/4"
Flange Dia: 15/32"
Aluminum Rivet
Steel Mandrel
Attaches Support
Rails To Load
Floor
GM

UNIT PACKAGE: 50

**18169**

(15956062)

3/16" Diameter
Grip: 1/8"-1/4"
Flange Diameter: 11/32"
Aluminum Rivet &
Steel Mandrel
Door Assembly
GM Trucks
C, K Models
1994-On

UNIT PACKAGE: 25

**20830**

(N-904-374-01)

3/16" (4.8mm) Diameter
Grip: 1/16" - 1/4"
(1.6mm-6.4mm)
Flange Diameter:
3/8" (10mm)
Aluminum Rivet
Steel Mandrel
(Zinc & Yellow)
Inner Fender
Volkswagen

UNIT PACKAGE: 25

**19376**

(979878-6)

5/32" (4mm) Diameter
Grip: 1/8"-11/32"
(3mm-8.5mm)
Flange Diameter: 15/32"
(12mm)
Aluminum Rivet
(Black Polyethylene
Coating)
Aluminum Mandrel
Bumper & Wheel Housing
Volvo 1993-On

UNIT PACKAGE: 15

**19514**

(10125439, 10201332)

Split-Type Rivet
3/16" Diameter
Grip: 3/64"-15/64"
Flange Diameter: 3/8"
Aluminum Rivet (Black)
Aluminum Mandrel
Door Actuator, Door,
Body & Fender
Moulding and Dash
Panel Insulation
Buick Regal,
Chev. Lumina APV,
K & T Trucks,
Olds Silhouette and
Pontiac Trans Sport
1990-On

UNIT PACKAGE: 25

**18912**(22585836,
22641917)

3/16" Diameter
Grip: 1/16" - 17/64"
Flange Diameter: 3/8"
Steel Rivet (Black)
Steel Mandrel (Zinc)
Rear Side Door
Outside Handle Attachment
Cadillac DeVille & Seville,
Chevrolet Cavalier And
Pontiac Sunfire 1994-On

UNIT PACKAGE: 25

**17006**

(N900-845-01)

Diameter: 5/32"
Grip: 1/4" - 3/8"
Flange Dia. 15/32"
Aluminum Rivet (Black)
Steel Mandrel
Wheel Opening
Moulding Attachment
Jetta, Rabbit & Golf

UNIT PACKAGE: 25

**19459**

(384432-S)

3/16" Diameter
Grip: 1/16"-1/8"
Flange Diameter: 3/8"
Aluminum Rivet
Steel Mandrel
Outer Moulding
Ford F Series & Villager
And Nissan Quest
1995-On

UNIT PACKAGE: 25

SPECIALTY RIVETS

Sec. 14

Rivets Are Listed In Columns By Diameter Then By Flange Diameter & Lastly By Minimum Grip



21184

(003-990-24-97)

Door Handle, Air Bag,
Rocker Moulding & Window
Regulator Rivet
Diameter: 3/16" (4.8mm)
Grip: 1/16" - 1/8"
(1.6mm - 3.2mm)
Flange Dia.: 3/8" (9.5mm)
Steel Rivet,
Steel Mandrel
Mercedes-Benz
1998 - On

UNIT PACKAGE: 100



17410

(390428-S100)

3/16" Diameter
Grip: 3/8"-1/2"
Flange Diameter: 3/8"
Closed End
Aluminum Rivet (Black)
Aluminum Mandrel
(Black)
Luggage Rack
Ford

UNIT PACKAGE: 25



18927

(22569178,
22579423)

Split-Type Rivet
3/16" Diameter
Grip: 5/16" - 7/16"
Flange Diameter: 7/16"
Aluminum Rivet
Steel Mandrel (Zinc)
Front & Rear Door
Window Sash Attachment
Buick Skylark, Chevrolet Cavalier,
Olds Achieva & Pontiac Grand Am
1992-On

UNIT PACKAGE: 25



21439

(11589111)

M4.8 (3/16") Diameter
Grip: 1.5mm - 6mm
(1/16" - 15/64")
Flange Dia.: 9mm (3/8")
Steel Rivet, Steel Mandrel
Cadillac CTS; Chevrolet
Colorado & Equinox and
GMC Canyon
& Terrain 2004 - On

UNIT PACKAGE: 50



19515

(15704030)

3/16" Diameter
Grip: 3/16"-3/8"
Flange Diameter: 25/64"
Aluminum Rivet (Black)
Steel Mandrel
(Zinc & Yellow)
Body Moulding,
Bumper Fascia,
Hood Prop Rod and
Window Hinge
Chev. Beretta, Camaro,
Corsica & Trucks,
Olds Silhouette,
Pontiac Firebird, Grand Am and
Trans Sport
1992-On

UNIT PACKAGE: 25



18244

(GM: 15614774)

Split-Type Rivet
3/16" Diameter
Grip: 3/16"-3/8"
Flange Diameter: 29/64"
Aluminum Rivet (Black)
Aluminum Mandrel
For Camper Style
Mirrors On GM Trucks

UNIT PACKAGE: 10



21455

(68048610-AA)

Split-Type Rivet
3/16" (4.8mm) Diameter
Grip: 1/8" - 3/8"
(3mm - 9.5mm)
Flange Dia.: 15/32" (12mm)
Aluminum Rivet
Aluminum Mandrel
Chrysler 2008 - On

UNIT PACKAGE: 15



17121

(GM: 25618730;
Ford: N805592-S100)

Split-Type Rivet
Dia: 3/16"
Grip: 5/64"-15/64"
Flange Dia: 7/16"
Aluminum Rivet (Black)
Aluminum Mandrel
Wheel House Moulding
& General Purpose

UNIT PACKAGE: 25



21046

(90269-05065)

3/16" (5mm) Diameter
Grip: 5/32" - 9/32"
(4mm - 7mm)
Flange Diameter:
1/2" (13mm)
Aluminum Rivet
With Plastic Cap
Steel Mandrel
Bumpers & General Purpose
Lexus
2004 - On

UNIT PACKAGE: 10



18329

(3828472)

3/16" Diameter
Grip: 1/4"-3/8"
Flange Dia.: 3/8"
Aluminum Rivet (Black)
Aluminum Mandrel
Attachment Of Front
Fender Lower
Rocker Moulding
Chevrolet Astro & GMC Safari
Mini-Vans 1995-On

UNIT PACKAGE: 50

Sec. 14

SPECIALTY RIVETS

Rivets Are Listed In Columns By Diameter Then By Flange Diameter & Lastly By Minimum Grip"



17641

(9442361, 25609048)

Dia: 3/16"

Grip: 3/64"-13/64"

Flange Dia: 9/16"

Aluminum Rivet (Black)

Steel Mandrel (Zinc)

Used In Place Of Screws
When Attaching New Catalytic
Converter Heat Shield
Buick LeSabre & Roadmaster,
Cadillac Brougham and
Oldsmobile 98 & 88
1986-On

UNIT PACKAGE: 25



20626

(90269-05054)

3/16" (5mm) Diameter

Grip: 1/8" - 5/16"

(3mm - 8mm)

Flange Diameter: 9/16"

(14mm)

Aluminum Rivet

With Plastic Cap

Steel Mandrel

Windshield Side Moulding
& Gas Filler Cap

Toyota Camry & Sienna
1997 - On

UNIT PACKAGE: 10



20741

(11516807)

Split-Type Rivet

3/16" (4.8mm) Diameter

Grip: 3/64" - 23/64" (1mm-9mm)

Flange Diameter: 5/8" (16mm)

Aluminum Rivet (Black)

Aluminum Mandrel

Bumper Fascia & General Purpose
GM

1990 - On

UNIT PACKAGE: 25



18749

(9439559,
21021319)

3/16" Diameter

Grip: 1/16"-1/4"

Flange Diameter: 9/16"

Aluminum Rivet

(Black)

Steel Mandrel

Rocker Panel Cover

GM Saturn 1991-On

UNIT PACKAGE: 50



14127

(388664-S100)

Dia: 3/16"

Grip: 3/8"-1/2"

Flange Dia: 9/16"

Aluminum Rivet (Black)

Aluminum Mandrel

Fascia & Bumper

Ford 1982-On

UNIT PACKAGE: 25



19460

(385974-S)

3/16" Diameter

Grip: 3/16"-1/4"

Flange Diameter: 5/8"

Aluminum Rivet

Steel Mandrel

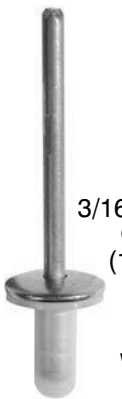
General Purpose

Ford Econoline

& Windstar

1995-On

UNIT PACKAGE: 50



20834

(90269-06013)

3/16" (4.8mm) Diameter

Grip: 1/16" - 1/4"

(1.6mm - 6.35mm)

Flange Dia:

9/16" (14mm)

Aluminum Rivet

With Plastic Cap

Steel Mandrel

Gas Filler Door

Toyota Camry & Lexus IS300
2001 - On

UNIT PACKAGE: 15



20740

(22638717)

Split-Type Rivet

3/16" (4.8mm)

Diameter

Grip: 3/64" - 23/64"

(1mm - 9mm)

Flange Diameter:

5/8" (16mm)

Aluminum Rivet

Aluminum Mandrel

Bumper Fascia & General Purpose

GM 1987 - On

UNIT PACKAGE: 25



18168

(9433186)

3/16" Diameter

Grip 1/4"-3/8"

Flange Diameter: 5/8"

Steel Rivet (Zinc)

Steel Mandrel

Front & Rear Bumper

GM Saturn 1991-On

UNIT PACKAGE: 50

SPECIALTY RIVETS

Sec. 14

Rivets Are Listed In Columns By Diameter Then By Flange Diameter & Lastly By Minimum Grip



12657
(9439719)

Dia: 3/16"
Grip: 1/4"-3/8"
Flange Dia: 5/8"
Steel Rivet (Black)
Steel Mandrel
Attaches Fascia To
Underside Bumper
GM 1981-On

UNIT PACKAGE: 50



18935
(10160960)

3/16" Diameter
Grip: 1/2" - 25/32"
Flange Dia.: 5/8"
Aluminum Rivet
Steel Mandrel (Zinc)
Liftgate Strut Gate
Side Bracket
Lumina APV, Silhouette
& Trans Sport 1992-On

UNIT PACKAGE: 25



21124
(11610383)

1/4" Diameter
Grip: 1/64" - 1/8"
Flange O.D.: 1/2"
Steel Rivet
(Zinc)
Steel Mandrel
Step Bumper
GM Silverado &
Sierra Pick-Ups
2007 - On

UNIT PACKAGE: 25



16940

(GM: 2085119,
3533539,
3540161;
Not Supplied By
Chrysler O.E.M.)

3/16" Diameter
Grip: 1/2" - 5/8"
Flange Diameter: 5/8"
Aluminum Rivet & Mandrel
Glass Stop/Roller Rivet
Chrysler
Front Bumper
Fascia Lower Deflector
Cadillac 1993 - 87

UNIT PACKAGE: 25



17977

(Not Supplied
By O.E.M.)

3/16" Diameter
Grip: 5/8"-3/4"
Flange Diameter: 5/8"
Aluminum Rivet & Mandrel
Glass Stop/Roller Rivet
Chrysler

UNIT PACKAGE: 25



21373

(W710079-S300)

1/4" (6.3mm) Dia.
Grip: 1/64" - 7/32" (.4mm - 5.5mm)
Flange Diameter: 3/4" (19mm)
Alum. Rivet & Mandrel
Attaches Power Lock Motor/Solenoid
To Front and Rear Doors On Ford
2009 - On

UNIT PACKAGE: 10



17466
(N905150-S)

Diameter: 3/16"
Grip: 1/2"-5/8"
Flange Dia: 5/8"
Aluminum Rivet
Steel Mandrel
Attaches License
Plate Bracket
Ford

UNIT PACKAGE: 25



19111

(N807168-S)

3/16" Diameter
Grip: 11/16"-13/16"
Flange Diameter: 3/4"
Aluminum Rivet
Aluminum Mandrel
Grille & Bumper
Ford Windstar 1995-On

UNIT PACKAGE: 25



18889

(22643056)

1/4" Diameter
Grip: 1/16" - 5/32"
Flange Diameter: 1/2"
Steel Rivet
Steel Mandrel (Zinc &
Yellow Dichromate)
Door Window Regulator
Buick Skylark, Chev. Cavalier,
Olds Achieva & Aurora, And
Pontiac Grand Am & Sunfire
1995-On

UNIT PACKAGE: 25

Sec. 14**SPECIALTY RIVETS**

Rivets Are Listed In Columns By Diameter Then By Flange Diameter & Lastly By Minimum Grip

**21315**

(90269-A0005)

1/4" (6.3mm) Dia.
Grip: 1/16" - 3/16"
(1.6mm - 4.8mm)

Flange Dia.: 1/2" (13mm)

Black Aluminum Rivet

Steel Mandrel

Fuel Door & General Purpose
Toyota 2007 - On

UNIT PACKAGE: 10

**16939**

(10157547)

1/4" Diameter

Grip: 5/64" - 3/8"

Flange Diameter: 1/2"

Aluminum Rivet,

Steel Mandrel

(Yellow Dichromate Coated)

Front Door Window Regulator

GM APV Vans 1990-On

UNIT PACKAGE: 10

**12654**

(372820-S36, S40)

Dia: 1/4"

Grip: 1/8"-1/4"

Flange Dia: 1/2"

Steel Rivet

(Zinc & Gold Chrome)

Steel Mandrel

Front Bumper Assembly

Ford 1979-On

UNIT PACKAGE: 25

**18938**

(2024778)

1/4" Diameter

Grip: 1/16"-1/4"

Flange Dia.: 1/2"

Steel Rivet (Zinc)

Steel Mandrel (Zinc)

Front Side Door

Window Regulator

Chevrolet Lumina APV,

Olds Silhouette & Pontiac

Trans Sport 1990-On

UNIT PACKAGE: 25

**18810**

(6033688)

1/4" Diameter

Grip: 7/64"-3/16"

Flange Dia.: 1/2"

Steel Rivet

(Zinc & Yellow)

Steel Mandrel

(Zinc & Yellow)

Glass & Frame Assembly
And Floor Pan

Reinforcement Attachment

Dodge Shadow, Plymouth

Sundance

& Jeep Cherokee

1991-On

UNIT PACKAGE: 25

**21142**

(11519023)

1/4" Diameter

Grip: 3/16" - 17/64"

Flange Diameter: 1/2"

Steel Rivet &

Steel Mandrel

Buick Lucerne,

Chevrolet

Cobalt & Vans

Pontiac G5 and

Saturn Aura

2003 - On

UNIT PACKAGE: 10

**21286**

(004-990-16-97)

Dia.: 1/4" (6.3mm)

Grip: 3/16" - 17/64"

(4.80mm - 6.80mm)

Flange Dia.: 1/2" (13mm)

Steel Rivet, Steel Mandrel

Mercedes Benz 2008 - On

UNIT PACKAGE: 10

**21115**

(11609731)

1/4" Diameter

Grip: 1/16" - 19/64"

Flange Diameter: 1/2"

Steel Rivet

Steel Mandrel

Fuel Tank Mounting

GM

1997 - On

UNIT PACKAGE: 25

**19396**

(N808426-S100)

1/4" Diameter

Grip: 1/8"-1/4"

Flange Diameter: 1/2"

Aluminum Rivet (Black)

Aluminum Mandrel

Bumper Fascia

Ford Taurus & Sable

1996-On

UNIT PACKAGE: 25

**21245**

(W705297-S300)

Split-Type Rivet

1/4" Diameter

Grip Range: 3/16" - 3/8"

Flange Diameter: 11/16"

Aluminum Rivet

Aluminum Mandrel

Bumper Cover

Ford Fusion

2009 - On

UNIT PACKAGE: 15

SPECIALTY RIVETS

Sec. 14

Rivets Are Listed In Columns By Diameter Then By Flange Diameter & Lastly By Minimum Grip



21440
(Not Available From O.E.M.)
Closed End Rivet
1/4" Diameter
Grip Range: 1/4" - 3/8"
Flange Diameter: 1/2"
Aluminum Rivet,
Steel Mandrel
General Purpose

UNIT PACKAGE: 25



19516
(N804851-S100)
Split-Type Rivet
1/4" Diameter
Grip: 3/64"-1/4"
Flange Dia.: 9/16"
Aluminum Rivet
(Black)
Aluminum Mandrel
Front Bumper
Ford Taurus
1996-On

UNIT PACKAGE: 15



18331
(N805995-S100,
W701566-S417)
Diameter: 1/4"
Grip: 1/32"-7/32"
Flange Dia.: 3/4"
Aluminum Rivet (Black)
Aluminum Mandrel (Yellow)
Attachment Of Power Door Lock
Actuator
Mustang & Lincoln
Continental 1994-On

UNIT PACKAGE: 10



18171
(10204265)
1/4" Diameter
Grip: 1/2"-5/8"
Flange Dia.: 1/2"
Aluminum Rivet
Aluminum Mandrel
Trunk Lock Cylinder
Chevrolet Camaro
1994-On

UNIT PACKAGE: 15



20170
(11518091)
Split-Type Rivet
Diameter: 1/4"
Grip: 3/16"-3/8"
Flange Dia.: 9/16"
Aluminum Rivet
Aluminum Mandrel
Front & Rear
Bumper Fascia
Saturn
2000-On

UNIT PACKAGE: 15



17640
(3540146,
3548011)
1/4" Diameter
Grip: .070"-.083"
Flange Dia.: 3/4"
Steel Rivet
Steel Mandrel
(Zinc & Yellow
Dichromate)
Front Door Window
Channel Retainer Rivet
Buick Riviera, Cadillac DeVille &
Eldorado And Olds Toronado
1993-On

UNIT PACKAGE: 15



18170
(10204266)
1/4" Diameter
Grip: 3/4"-1"
Flange Diameter: 1/2"
Aluminum Rivet
Aluminum Mandrel
Trunk Lock Cylinder
Pontiac Firebird
1994-On

UNIT PACKAGE: 10



17639
(Ford: N806830-S100;
Chrys: 6035201)
Split-Type Rivet
Diameter: 1/4"
Grip: 3/16"-3/8"
Flange Dia: 11/16"
Aluminum Rivet
(Black)
Aluminum Mandrel
Attachment of
Bumper Cover
To Bumper &
Front License
Plate Bracket To
Bumper Cover
Ford 1992-On
Air Dam To Fascia
Chrysler 1993-On

UNIT PACKAGE: 15



12652
(388442-S100)
Dia: 1/4"
Grip: 1/8"-1/4"
Flange Dia: 3/4"
Steel Rivet (Black)
Steel Mandrel
Bumper Assembly
Escort & Lynx 1981-On

UNIT PACKAGE: 25

19263
Same As 17639
Except For Packing

UNIT PACKAGE: 25



**Straight Shank - Black Finish
135° Split Point**

Auveco Part No.	Unit Pkg.	Size	Dec. Equiv.	Flute Length	Overall Length
13039	5	3/32"	.0938	1-1/4"	2-1/4"
13040	5	7/64"	.1094	1-1/2"	2-5/8"
13041	5	1/8"	.1250	1-5/8"	2-3/4"
13095	5	30	.1285	1-5/8"	2-3/4"
13042	5	9/64"	.1406	1-3/4"	2-7/8"
13043	5	5/32"	.1562	2"	3-1/8"
13044	5	11/64"	.1719	2-1/8"	3-1/4"
13045	5	3/16"	.1875	2-5/16"	3-1/2"
13072	5	7	.2010	2-7/16"	3-5/8"
13095	5	30	.1285	1-5/8"	2-3/4"
13046	5	13/64"	.2031	2-7/16"	3-5/8"
13047	5	7/32"	.2188	2-1/2"	3-3/4"
13048	5	15/64"	.2344	2-5/8"	3-7/8"
13049	5	1/4"	.2500	2-3/4"	4"
13050	5	17/64"	.2656	2-7/8"	4-1/8"
13051	5	9/32"	.2812	2-15/16"	4-1/4"
13052	5	19/64"	.2969	3-1/16"	4-3/8"
13053	5	5/16"	.3125	3-3/16"	4-1/2"
13054	5	21/64"	.3281	3-5/16"	4-5/8"
13055	5	11/32"	.3438	3-7/16"	4-3/4"
13056	5	23/64"	.3594	3-1/2"	4-7/8"
13057	5	3/8"	.3750	3-5/8"	5"
13058	5	25/64"	.3906	3-3/4"	5-1/8"
13059	5	13/32"	.4062	3-7/8"	5-1/4"
13060	5	27/64"	.4219	3-15/16"	5-3/8"
13061	5	7/16"	.4375	4-1/16"	5-1/2"
13062	5	29/64"	.4531	4-3/16"	5-5/8"
13063	5	15/32"	.4688	4-5/16"	5-3/4"
13064	5	31/64"	.4844	4-3/8"	5-7/8"
13065	3	1/2"	.5000	4-1/2"	6"

**COBALT STEEL
SPOT WELD DRILLS**



Auveco Part No.	Unit Pkg.	Size	Flute Length	Overall Length
20479	3	8mm (5/16")	27mm (1-1/16")	58mm (2-1/4")
20480	3	10mm (3/8")	27mm (1-1/16")	58mm (2-1/4")

**High Speed Jobber Length
Drill Set**

Metal Drill Indexes



13136

Jobbers Length
Straight Shank
135° Split Point
Blue/Bright Finish
Sizes 1/16" thru
1/2" by 64th
29 Pieces

UNIT PACKAGE: 1 Set



**Screw Machine Length Drills
Blue Finish - Straight Shank
135° Split Point**

Auveco Part No.	Unit Pkg.	Size	Dec. Equiv.	Flute Length	Overall Length
13120	5	1/16"	.0625	5/8"	1-5/8"
13121	5	5/64"	.0781	11/16"	1-11/16"
13124*	5	1/8"	.1250	7/8"	1-7/8"
13128	5	3/16"	.1875	1-1/8"	2-3/16"
13132	5	1/4"	.2500	1-3/8"	2-1/2"
13133	5	5/16"	.3125	1-5/8"	2-13/16"
13134	2	3/8"	.3750	1-13/16"	3-1/8"

* for 1/8" Pop Rivets



Double-End Drill Bit
1/8" (.125) Dia., 2" Length
135° Split Point

12676

Black Finish

UNIT PKG: 5